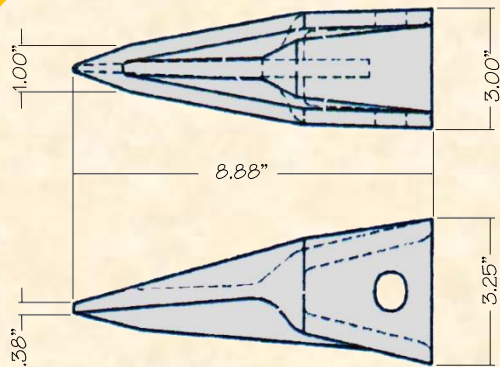
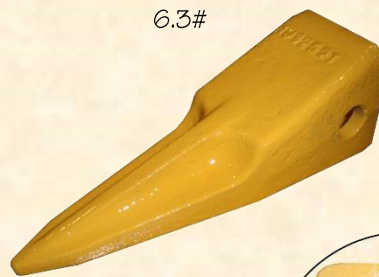


H&L "Cobra Line" J-250 Series Teeth fit all field CAT Style 250 Adapters.

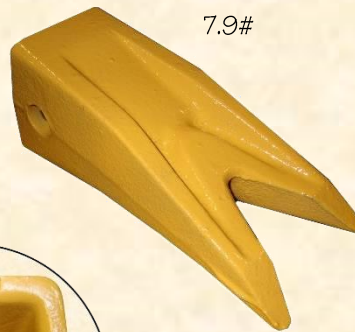
H&L offers a variety of J-250 series bolt-on and weld-on adapters!



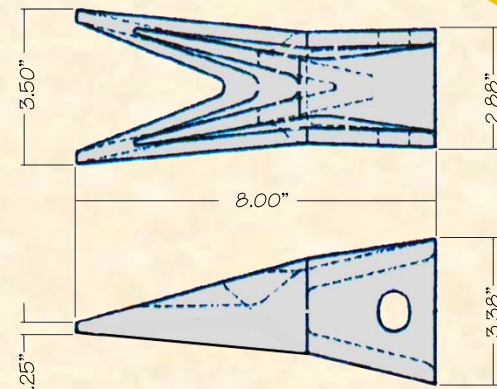
CX-1U-3252T Single Tiger



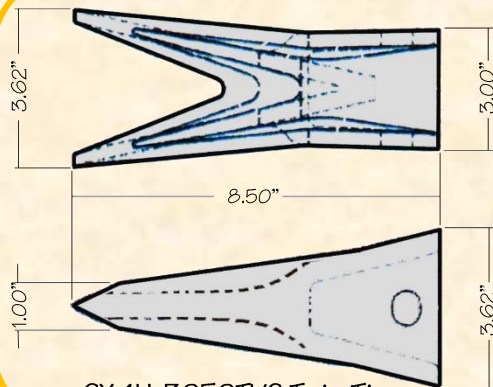
6.3#



7.9#



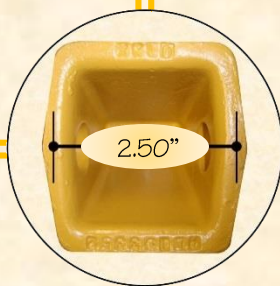
CX-1U-3252WT Twin Tiger



CX-1U-3252TVC Twin Tiger



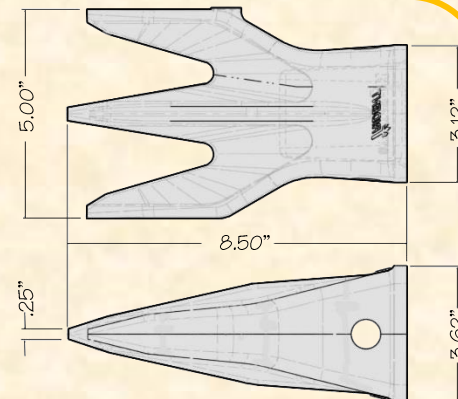
8.0#



2.50"



9.1#



CX-1U-3252TR3 Triple Tiger

ORIGINAL PRODUCT

H&L® TOOTH COMPANY

Factory in Tulsa, Oklahoma

"Cobra Line" Cat Style TEETH design

J-250 Series

Uses "Cobra Line" J-250 Pin and Retainers.

H&L Tooth Company History since 1931:

H&L J-250 series Value-Cast "Cobra Line" teeth meets or exceeds the OEM standards. All Value-Cast teeth are covered under H&L's standard warranty. H&L part numbers are CX-1U-3252, CX-1U-3252T, CX-1U-3252WT, CX-1U-3252TVC and CX-1U-3252TR3.

Other part number references; 1U-3251, 1U-3252, 9N-4252, 208-5254, 9N-4253, 135-8258, 1U-3252T, 1U-3252WT, 1U-3252TVC and 1U-3252TR3.

H&L is an ISO CERTIFIED Company.

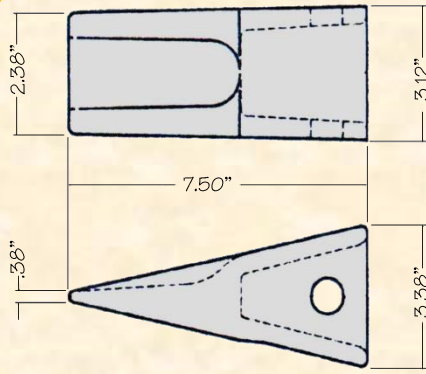
T321.2017



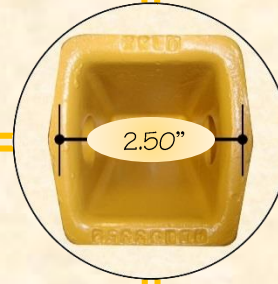
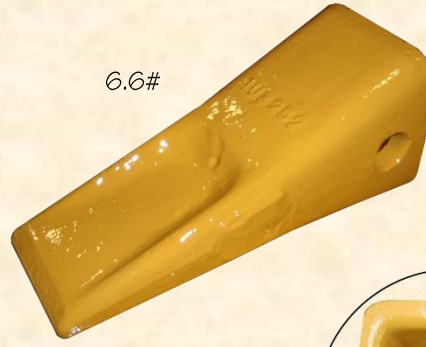
© H&L Tooth Company 2017

H&L "Cobra Line" J-250 Series Teeth fit all field CAT Style 250 Adapters.

H&L offers a variety of J-250 series bolt-on and weld-on adapters!



CX-1U-3252 Long Tooth



ORIGINAL PRODUCT

H&L® TOOTH COMPANY

Factory in Tulsa, Oklahoma

"Cobra Line" Cat Style TEETH design

J-250 Series

Uses "Cobra Line" J-250 Pin and Retainers.

H&L Tooth Company History since 1931:

H&L J-250 series Value-Cast "Cobra Line" teeth meets or exceeds the OEM standards. All Value-Cast teeth are covered under H&L's standard warranty. H&L part numbers are CX-1U-3252, CX-1U-3252T, CX-1U-3252WT, CX-1U-3252TVC and CX-1U-3252TR3.

Other part number references; 1U-3251, 1U-3252, 9N-4252, 208-5254, 9N-4253, 135-8258, 1U-3252T, 1U-3252WT, 1U-3252TVC and 1U-3252TR3.

H&L is an ISO CERTIFIED Company.

T321.2017.2



© H&L Tooth Company 2017