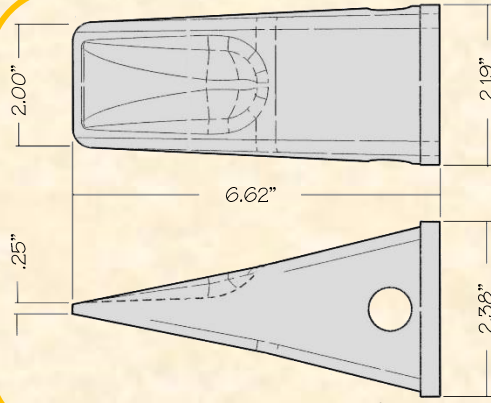
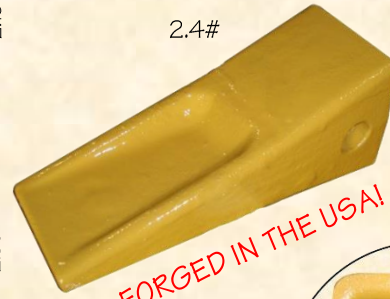


H&L Forged J-200 Series Teeth fit all field CAT Style 200 Adapters.

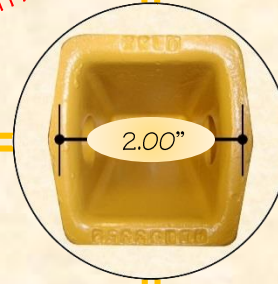
H&L offers a variety of J-200 series weld-on adapters!



HL-1U-3202 Long Tooth



FORGED IN THE USA!



ORIGINAL PRODUCT

H&L[®] TOOTH COMPANY

Factory in Tulsa, Oklahoma

"Uniforged" Cat Style TEETH design

J-200 Series

Uses J-200 Series Pin and Retainers.

H&L Tooth Company History since 1931:

H&L J-200 series Uniforged "Cobra Line" teeth meets or exceeds the OEM standards. All Forged teeth are covered under H&L's standard warranty. H&L part numbers are HL-1U-3202

Other part number references; 1U-3209, 109-9200, 4T-2203 and 135-8208.

H&L is an ISO CERTIFIED Company.

T324.2017

