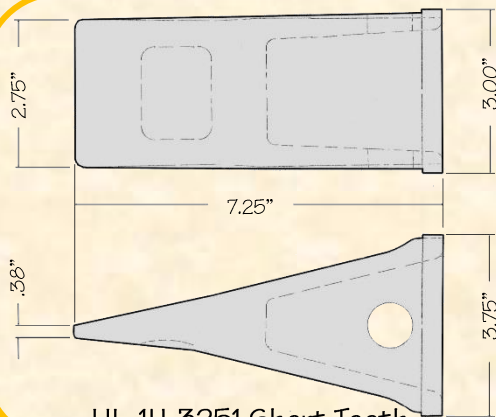


H&L Forged J-250 Series Teeth fit all field CAT Style 250 Adapters.

H&L offers a variety of J-250 series weld-on adapters!



HL-1U-3251 Short Tooth



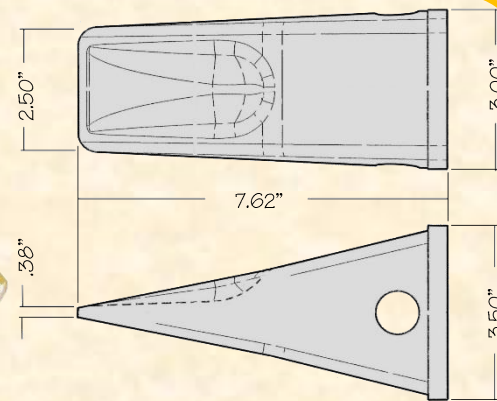
7.5#

FORGED IN THE USA!

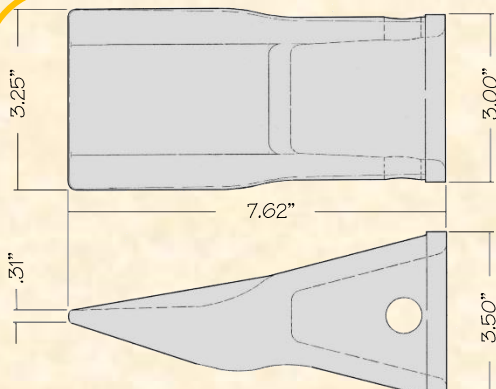
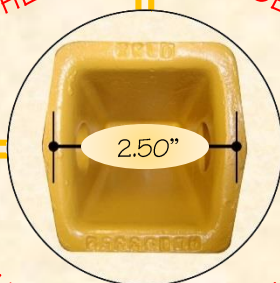


8.0#

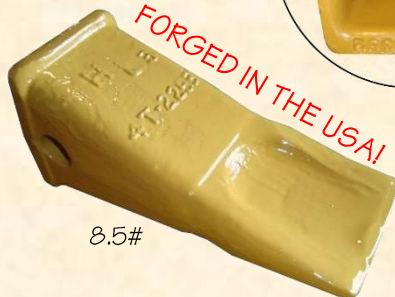
FORGED IN THE USA!



HL-1U-3252 Long Tooth



HL-4T-2253 Abrasion



8.5#

FORGED IN THE USA!



8.5#

FORGED IN THE USA!



HL-1U-3252TT Twin Tiger

ORIGINAL PRODUCT

H&L® TOOTH COMPANY

Factory in Tulsa, Oklahoma

“Uniforged” Cat Style TEETH design

J-250 Series

Uses J-250 Series Pin and Retainers.

H&L Tooth Company History since 1931:

H&L J-250 series Uniforged “Cobra Line” teeth meets or exceeds the OEM standards. All Forged teeth are covered under H&L’s standard warranty. H&L part numbers are HL-1U-3251, HL-1U-3252, HL-1U-3252TT, HL-3G-8250 and HL-4T-2253.

Other part number references; 1U-3251, 1U-3252, 9N-4252, 208-5254, 9N-4253, 135-8258, 3G-8250 and 4T-2253.

H&L is an ISO CERTIFIED Company.

T325.2017

