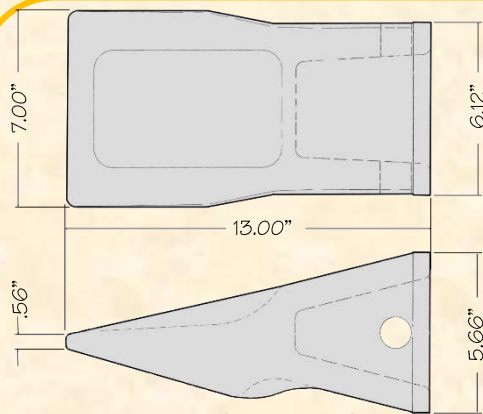


H&L Forged J-450 Series Teeth fit all field CAT Style 450 Adapters.

H&L offers a variety of J-450 series weld-on adapters!



HL-9N-4453 Heavy Abrasion



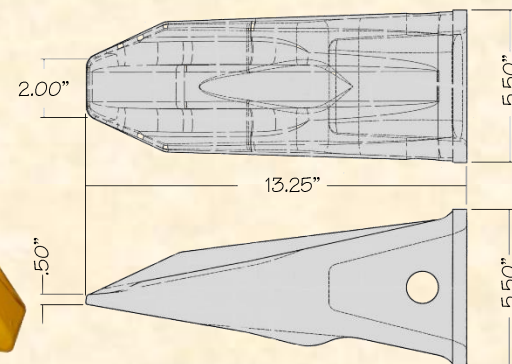
61.0#

FORGED IN THE USA!

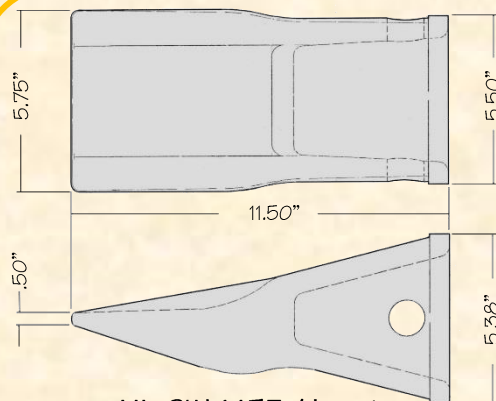
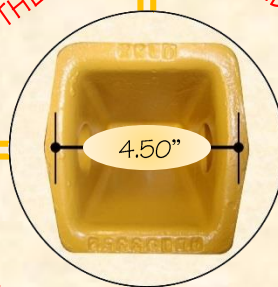


42.5#

FORGED IN THE USA!



HL-9N-4452RPS Rock Penetrating Star



HL-9W-1453 Abrasion



32.2#

FORGED IN THE USA!

ORIGINAL PRODUCT

H&L® TOOTH COMPANY

Factory in Tulsa, Oklahoma

"Uniforged" Cat Style TEETH design

J-450 Series

Uses J-450 Series Pin and Retainers.

H&L Tooth Company History since 1931:

H&L J-450 series Uniforged "Cobra Line" teeth meets or exceeds the OEM standards. All Forged teeth are covered under H&L's standard warranty. H&L part numbers are HL-9W-1453, HL-9N-4453 and HL-9N-4452RPS.

Other part number references; 9W-8451, 9W-8452, 9N-4452, 107-3450, 138-6458, 317-4456, 9W-1453, 9N-4453 and 9N-4452RPS.

H&L is an ISO CERTIFIED Company.

T328.2017

