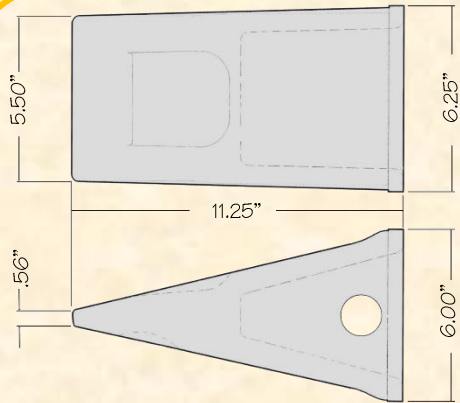


H&L Forged J-550 Series Teeth fit all field CAT Style 550 Adapters.

H&L offers a variety of J-550 series weld-on adapters!



HL-9W-8551 Short Tooth



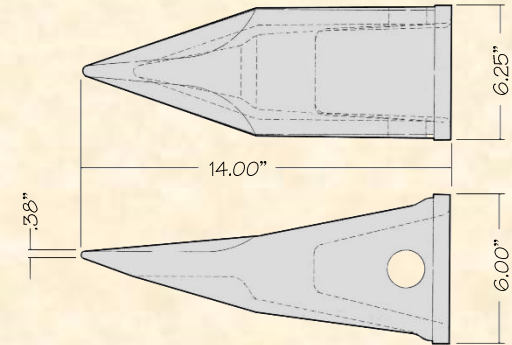
36.5#

FORGED IN THE USA!

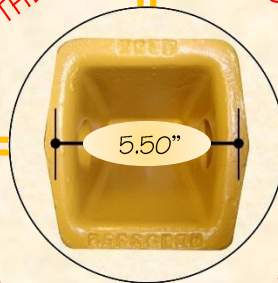


35.3#

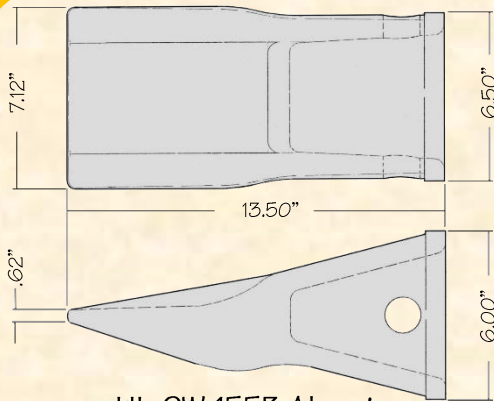
FORGED IN THE USA!



HL-9W-8552T Single Tiger



5.50"



HL-9W-1553 Abrasion



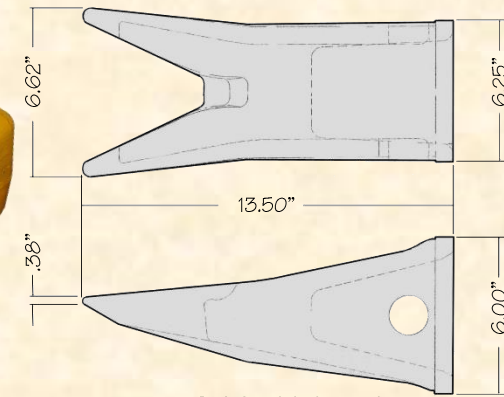
52.8#

FORGED IN THE USA!



36.0#

FORGED IN THE USA!



HL-9W-8552TT Twin Tiger

ORIGINAL PRODUCT

H&L® TOOTH COMPANY

Factory in Tulsa, Oklahoma

"Uniforged" Cat Style TEETH design

J-550 Series

Uses J-550 Series Pin and Retainers.

H&L Tooth Company History since 1931:

H&L J-550 series Uniforged "Cobra Line" teeth meets or exceeds the OEM standards. All Forged teeth are covered under H&L's standard warranty. H&L part numbers are HL-9W-8551, HL-9W-1553, HL-9W-8552T, HL-9W-8552TT and HL-9N-4552RPS.

Other part number references; 9W-8551, 9W-8552, 9N-4552, 107-3550, 6Y-2553, 222-7553, 338-0550, 138-6558, 9W-1553, 9W-8552T, 9W-8552TT and 9N-4552RPS.

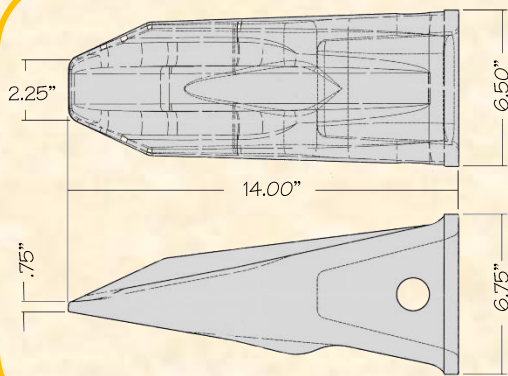
H&L is an ISO CERTIFIED Company.

T329.2017



H&L Forged J-550 Series Teeth fit all field CAT Style 550 Adapters.

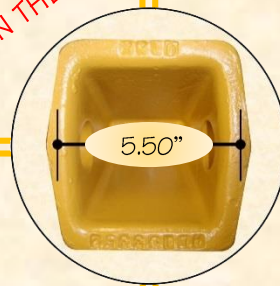
H&L offers a variety of J-550 series weld-on adapters!



HL-9N-4552RPS Rock Penetrating Star



FORGED IN THE USA!



ORIGINAL PRODUCT

H&L[®] TOOTH COMPANY

Factory in Tulsa, Oklahoma

“Uniforged” Cat Style TEETH design

J-550 Series

Uses J-550 Series Pin and Retainers.

H&L Tooth Company History since 1931:

H&L J-550 series Uniforged “Cobra Line” teeth meets or exceeds the OEM standards. All Forged teeth are covered under H&L’s standard warranty. H&L part numbers are HL-9W-8551, HL-9W-1553, HL-9W-8552T, HL-9W-8552TT and HL-9N-4552RPS.

Other part number references; 9W-8551, 9W-8552, 9N-4552, 107-3550, 6Y-2553, 222-7553, 338-0550, 138-6558, 9W-1553, 9W-8552T, 9W-8552TT and 9N-4552RPS.

H&L is an ISO CERTIFIED Company.

T329.2017.2

