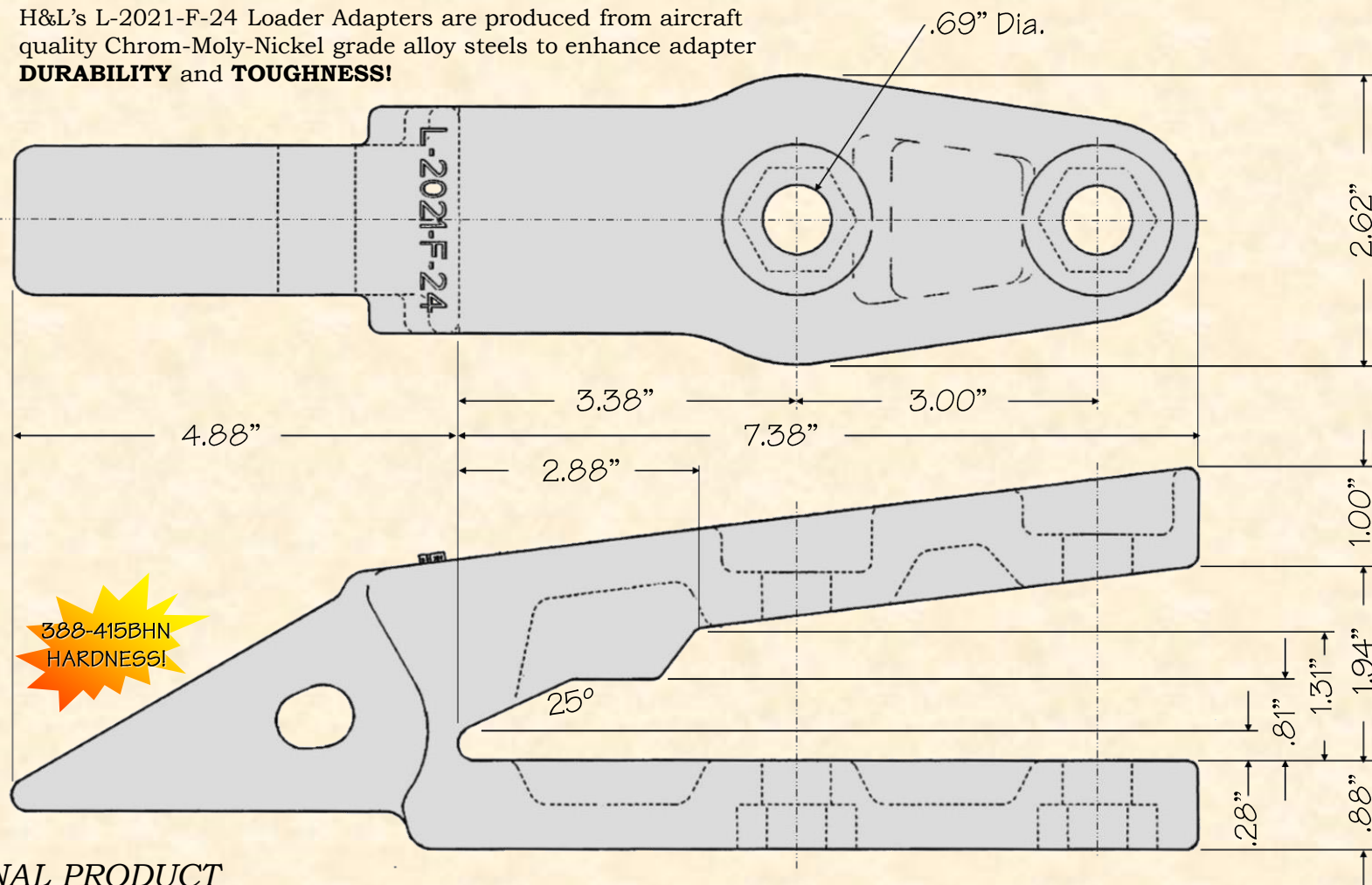


T330.2017



H&L's L-2021-F-24 Loader Adapters are produced from aircraft quality Chrom-Moly-Nickel grade alloy steels to enhance adapter **DURABILITY** and **TOUGHNESS!**

© H&L Tooth Company 2017



**388-415BHN
HARDNESS!**

ORIGINAL PRODUCT

H&L[®] TOOTH COMPANY

Factory Direct Made in Tulsa, Oklahoma

The "OEM" Flexpin Style **LOADER ADAPTER** design

L-2021-F-24

Loader Adapter
10.5#/4.761kgs.

H&L Tooth Company History since 1931:

This Double Leg bolt-on loader adapter was first designed and introduced by H&L Tooth as a Drott Manufacturing product in 1963, later for J.I. Case OEM in 1976.

H&L's L-2021-F-24 bolt-on adapter (Drott #22929M2 and Case #B91271 and assembly #L112739) was developed for Drott's TD9 4 in 1 bucket and Case Model W-24B Military Wheel Loader.

Today, H&L continues to produce the "Original" L-2021-F-24 adapter and 240-Series tooth system.