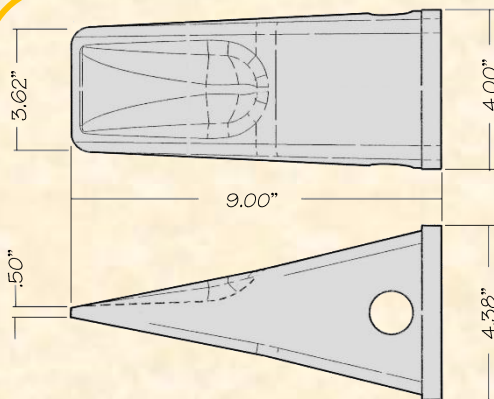


# H&L Forged J-350 Series Teeth fit all field CAT Style 350 Adapters.

*H&L offers a variety of J-350 series weld-on adapters!*



HL-1U-3351 Short Tooth



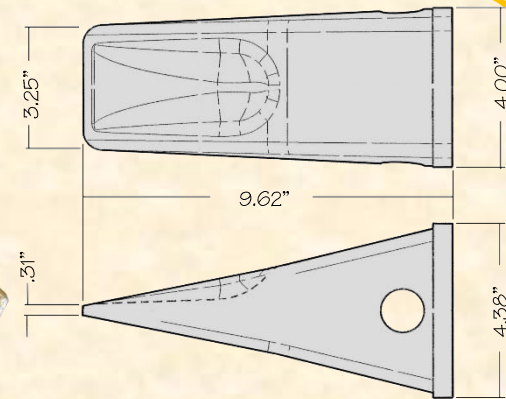
14.3#

**FORGED IN THE USA!**

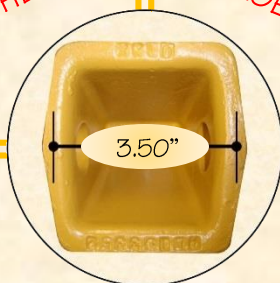


15.2#

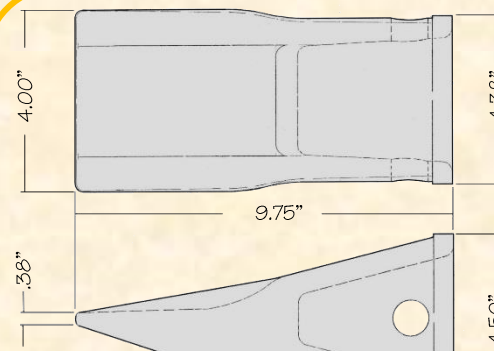
**FORGED IN THE USA!**



HL-1U-3352 Long Tooth



3.50"



HL-4T-2353 Abrasion



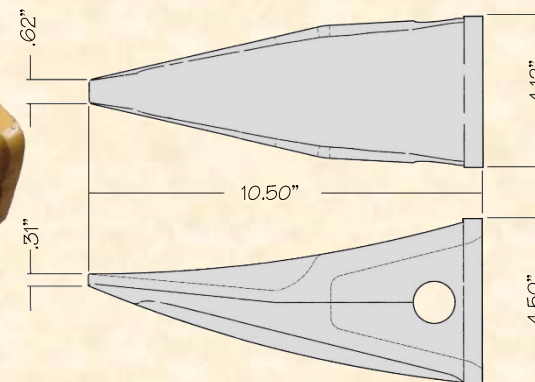
15.8#

**FORGED IN THE USA!**



12.2#

**FORGED IN THE USA!**



HL-9W-2359 Single Claw

*ORIGINAL PRODUCT*

## H&L® TOOTH COMPANY

*Factory in Tulsa, Oklahoma*

*"Uniforged" Cat Style TEETH design*

### J-350 Series

*Uses J-350 Series Pin and Retainers.*

*H&L Tooth Company History since 1931:*

*H&L J-350 series Uniforged "Cobra Line" teeth meets or exceeds the OEM standards. All Forged teeth are covered under H&L's standard warranty. H&L part numbers are HL-1U-3351, HL-1U-3352, HL-9W-2359 CLAW and HL-4T-2353.*

*Other part number references; 1U-3351, 1U-3352, 9N-4352, 107-3350, 9N-4353, 135-9357, 9W-2359 CLAW and 4T-2353.*

*H&L is an ISO CERTIFIED Company.*

T327.2017



**QUALITY**  
since 1931