

R036.2017

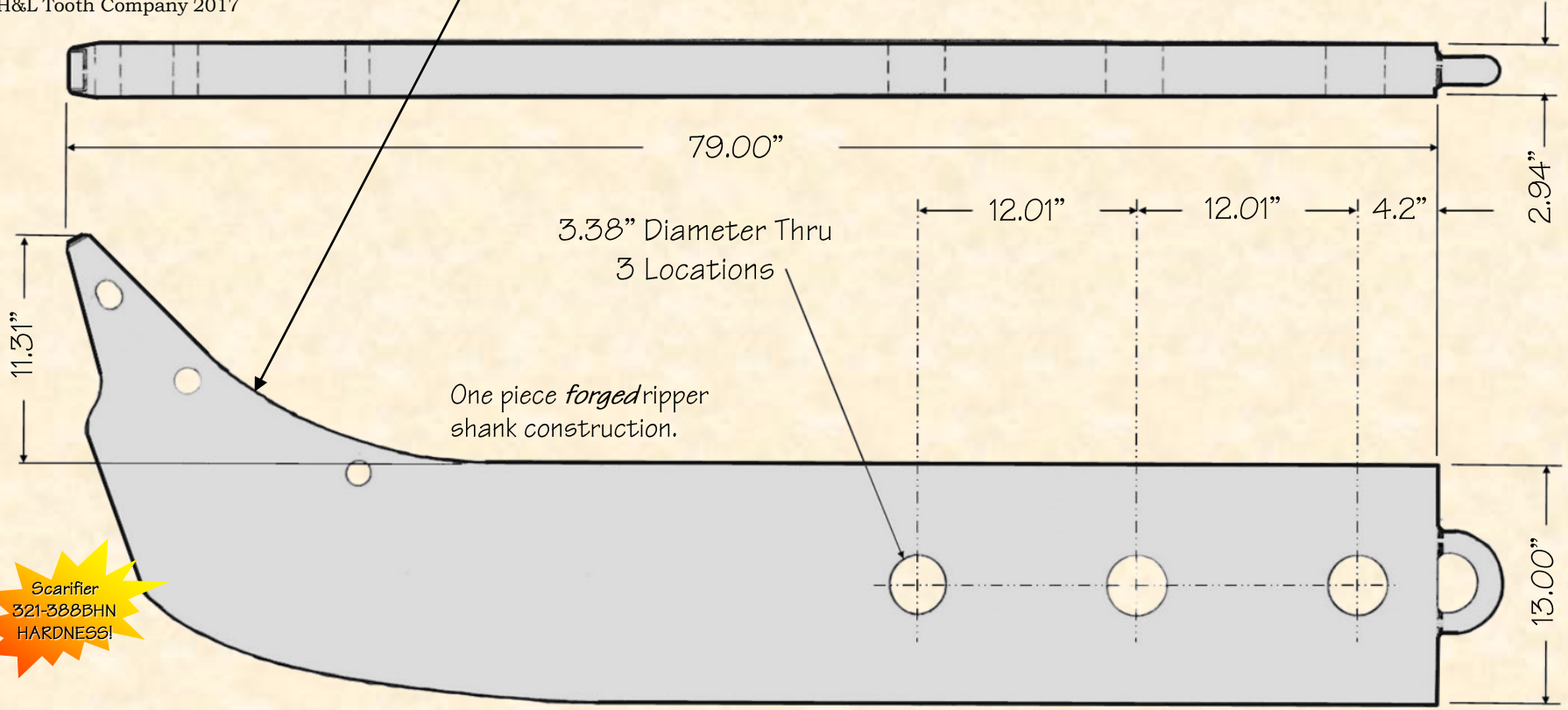


**QUALITY**  
since 1931

© H&L Tooth Company 2017

H&L's Style RJ-812079-YU-36 Rippers are produced from Chrom-Moly-Nickel grade alloy steels to enhance shank **DURABILITY and TOUGHNESS!**

Uses 36ST-4R Tooth and 19-36FP Flexpin  
RX-1939/RX-2017 Wear Plate and two RX-1926FP Flexpins



*ORIGINAL PRODUCT*

**H&L® TOOTH COMPANY**

*Factory Direct Made in Tulsa, Oklahoma*

**RJ-812079-YU-36**

Ripper Shank

854.0#/1387.37kgs.

*H&L Tooth Company History since 1931:*

*This H&L's style RJ-812079-YU-36 Uniforged ripping shank is a replacement for Caterpillar's Model D8N, D8R and D8T, part number 4T-8989. This shank uses the H&L 36-Series tooth system. Ripper shank was engineered and introduced by the H&L Tooth Company in 1985.*

*H&L products meet or exceeds all OEM standards.*