

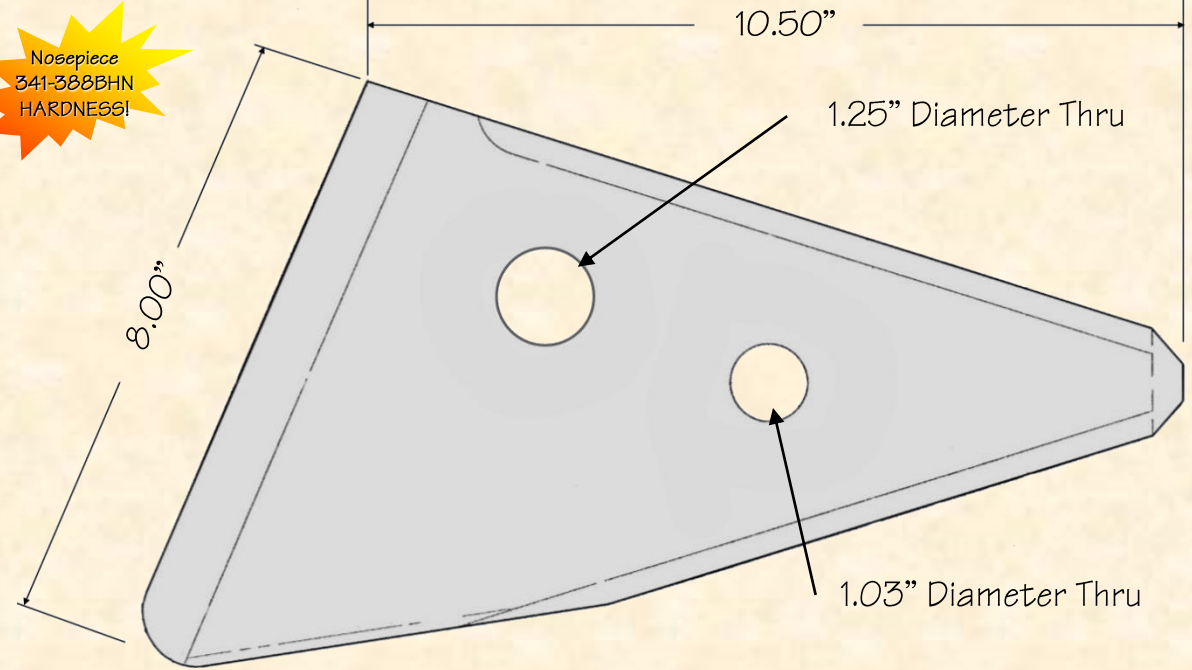
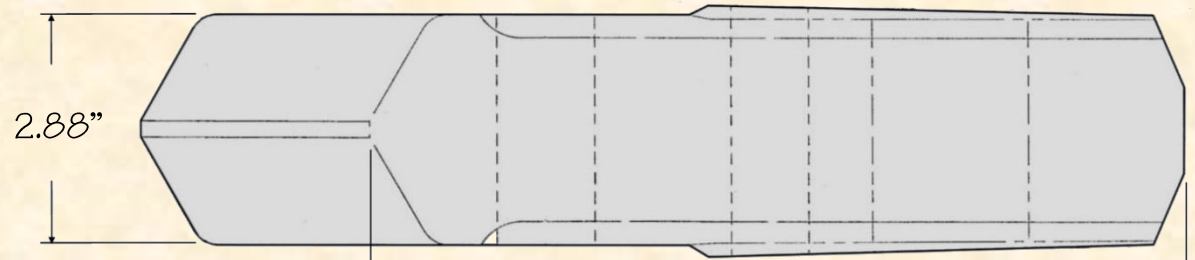
R165.2017



© H&L Tooth Company 2017

H&L's Cat Style HL-4T-9776 ripper nosepieces are produced from Chrom-Moly-Nickel grade alloy steels to enhance shank **DURABILITY and TOUGHNESS!**

Uses (R450) HL-9W-2452ST-4R Tooth with HL-4T-2479 Pin, Wear Plate with one HL-4T-2479.



ORIGINAL PRODUCT

**H&L® TOOTH COMPANY**

Factory Direct Made in Tulsa, Oklahoma

**HL-4T-9776**

Repair Nosepiece  
41.0#/18.60kgs.

*H&L Tooth Company History since 1931:*

*This H&L's Cat style HL-4T-9776 ripper nosepiece is a repair nose replacement for Caterpillar's 2.88" thick rippers since 1983. Used on Models D8, D8H, D8R and D9 Dozers. This nosepiece uses the H&L's R-450 Series tooth system.*

*H&L products meet or exceeds all OEM standards.*