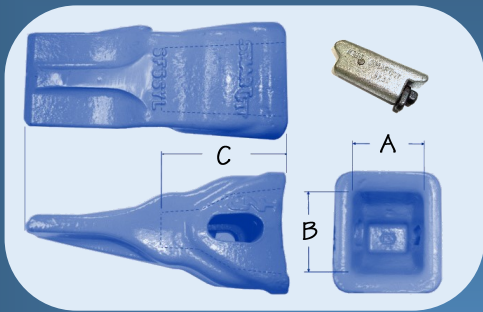


Hammerless Side Pin Connection

Very High Possibility



Case® (Hensley) Smartfit® Style System

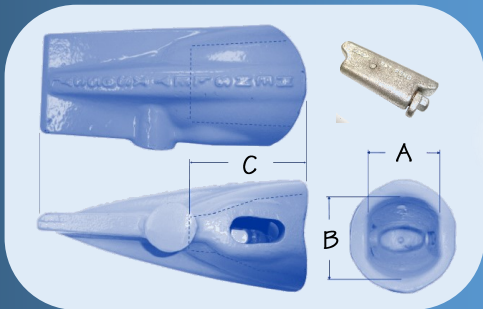


Case® Smartfit® System			
Size	A	B	C
SF04			
SF05	1.62"	2.90"	2.50"
SF10			
SF15			
SF20			
SF25			
SF30			
SF40			
SF50			

Patented by Hensley®, a Komatsu® owned company. Case's "Smartfit®" is available from a *Case Dealer Network only*. Smartfit teeth are a modified Hensley's "XS" and is manufactured by Case's competitor Komatsu®. The Smartfit® designed teeth and adapters are not interchangeable with "XS" or K-Max.

This product design is not offered by the H&L Tooth Company at this time.

Very High Possibility



Hensley®-Komatsu® XS System

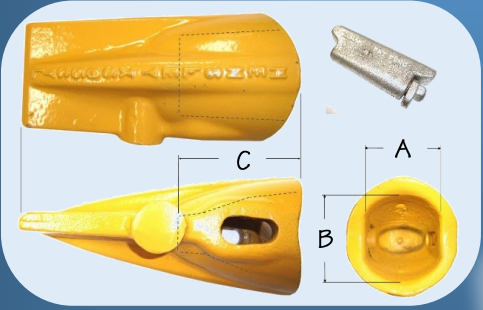


Hensley® XS System			
Size	A	B	C
XS04	1.70"	1.80"	2.30"
XS05	2.03"	2.09"	2.75"
XS10	2.30"	2.50"	3.30"
XS15	3.85"	2.92"	3.80"
XS20	3.12"	3.31"	4.37"
XS25	3.56"	3.75"	4.97"
XS30	4.03"	4.16"	5.50"
XS40	4.21"	4.42"	5.85"
XS50	4.69"	4.91"	6.50"
XS70	5.09"	5.34"	7.06"
XS85	5.43"	5.69"	7.50"

Patented by Hensley®, a Komatsu® owned company. "XS" tooth systems are produced, sold and can be found at *Hensley Dealers only*. The "XS" GET system is an abbreviation for *Extreme Service*. Patent issued in 2003 (6,826,855) and 2004 (7,162,818). The "XS" designed teeth and adapters are not interchangeable with Smartfit® or K-Max.

This product design is not offered by the H&L Tooth Company at this time.

Very High Possibility



Komatsu® Hensley® K-Max Style System



Komatsu® K-Max® System			
Size	A	B	C
XS04	1.70"	1.80"	2.30"
XS05	2.00"	2.10"	2.80"
XS10	2.30"	2.50"	3.30"
K15	2.79"	2.91"	3.85"
K20	3.15"	3.31"	4.38"
K25	3.62"	3.74"	4.96"
K30	3.98"	4.17"	5.47"
K40	4.21"	4.41"	5.82"
K50	4.69"	4.88"	6.50"
K70	5.12"	5.31"	7.05"
K85	5.51"	5.67"	7.48"

Patented by Hensley®, a Komatsu® owned company. "K-Max®" teeth are produced, sold and can be found at *Komatsu Dealers only*. The "K-Max®" system is nothing more than Hensley's "XS", Extreme Service design. However, sizes may differ from Hensley's designs and may not be interchangeable with the "XS".

This product design is not offered by the H&L Tooth Company at this time.

Hammerless Side Pin Connection

Very High Possibility



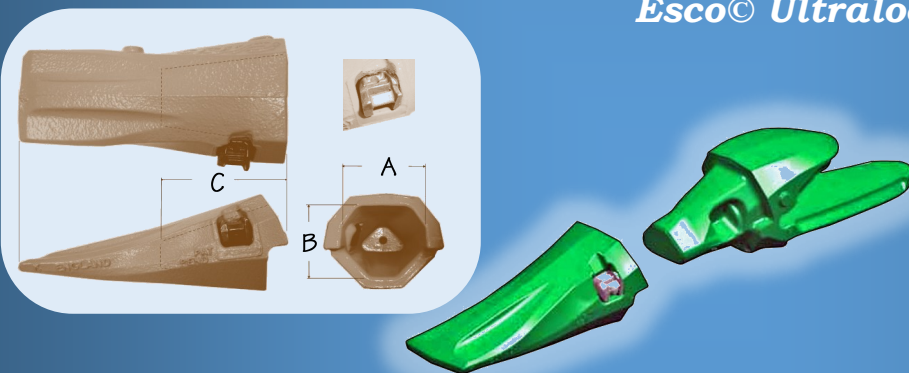
Caterpillar® J-800 CapSure® System

Caterpillar® J-Series System			
Size	A	B	C
J-200	1.50"	1.81"	2.81"
J-225	1.90"	2.00"	2.75"
J-250	2.19"	2.69"	3.06"
J-300	2.60"	3.00"	3.62"
J-350	3.00"	3.38"	4.06"
J-400	3.50"	3.60"	4.81"
J-450	3.88"	4.00"	4.88"
J-550	4.69"	4.31"	5.62"
J-600	5.60"	5.25"	6.56"
J-700	6.00"	5.73"	7.03"
J-800	7.00"	6.90"	7.68"

Caterpillar's CapSure pin attach system was patented and is used mostly on large Loader system for the Mining Industry. Also used on Electric Shovels that are fitted with the standard J-800 adapter. CapSure GET are available from Caterpillar® Dealers only.

This product design is not offered by the H&L Tooth Company at this time.

Very High Possibility



Esco® Ultraloc® Tooth System

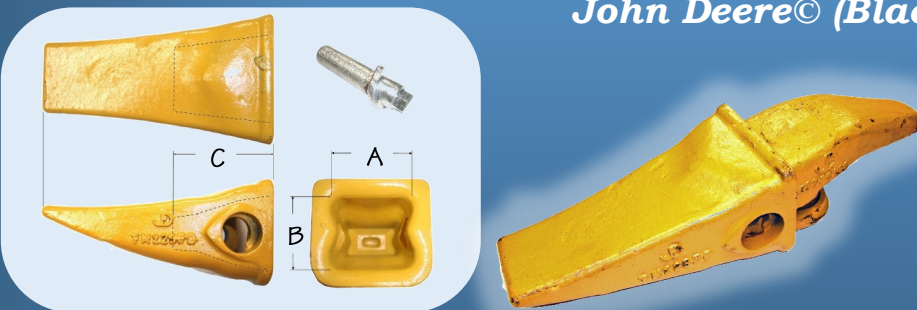
Esco® Ultralok® System			
Size	A*	B*	C*
U20	2.20"	2.03"	3.07"
U25	2.65"	2.45"	3.67"
U30	3.00"	2.80"	4.15"
U35	3.35"	3.12"	4.67"
U40	3.80"	3.54"	5.26"
U45	4.25"	3.95"	5.87"
U55	4.80"	4.46"	6.66"
<small>*Estimated Dimensions</small>			

Patented by the Esco® Corporation in 2007 (7,730,651 and 7,882,649), 2011 (8,122,621) and 2012 (8,839,535).

"Ultralok®" is available from *Esco Dealers only*.

This product design is not offered by the H&L Tooth Company at this time.

Very High Possibility



John Deere® (Black Cat)® TK System

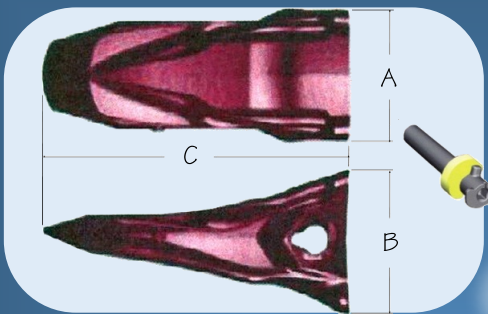
John Deere® TK® System			
Size	A	B	C
TK225	2.10"	2.15"	2.62"
TK250	2.50"	2.55"	
TK300	2.80"	2.90"	
TK350	3.25"	3.35"	
TK400	3.75"	3.90"	
TK450	4.20"	4.35"	
TK550	4.70"	4.85"	
TK600	5.05"	5.20"	
TK700	5.40"	5.56"	

Patented by Black Cat® of Canada. The Turn Kam "TK" system is available from *John Deere Dealers only*. John Deere's "TK" tooth system is a newly patented product that is supplied by Black Cat of Canada and made in China. Black Cat patents were issued in 2010 (8,307,574) and 2011 (8,261,472).

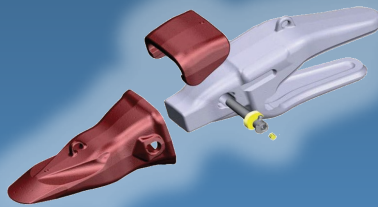
This product design is not offered by the H&L Tooth Company at this time.

Hammerless Side Pin Connection

Good Possibility



MTG© (Metalogenia) Starmet System

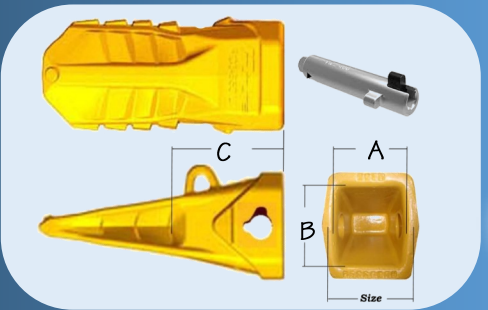


MTG® Starmet® System			
Size	A	B	C*
MA-40	5.00"	5.55"	12.64"
MA-50	5.47"	6.00"	13.66"
MA-60	6.33"	6.92"	15.39"
MA-120	7.52"	7.95"	17.36"
MA-180	8.35"	8.86"	19.37"
MA-240	9.53"	9.69"	20.55"
MA-500	10.90"	11.57"	23.15"
<small>*StarMet "E1" Series Tooth</small>			

The Starmet system is patented in Europe in 2003 by Metalogenia S.A. It was later patented in the United States during the years 2006 and 2007 (7,707,755, 7,926,207 and 8,555,532). Metalogenia's "Starmet" hammerless tooth line has been primarily used in Europe with some installations in Eastern Canada and New Zealand.

This product design is not offered by the H&L Tooth Company at this time.

Low Possibility



BYG Futura© J-Clack System

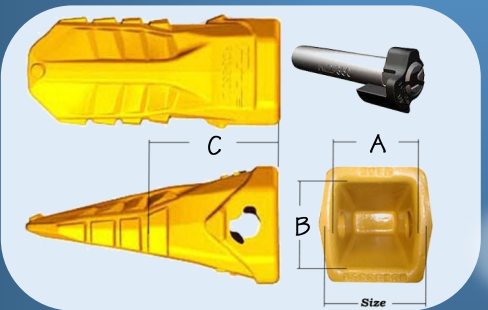


Futura® J-Clack System			
Size	A	B	C
J-200	1.50"	1.81"	2.81"
J-225	1.90"	2.00"	2.75"
J-250	2.19"	2.69"	3.06"
J-300	2.60"	3.00"	3.62"
J-350	3.00"	3.38"	4.06"
J-400	3.50"	3.60"	4.81"
J-450	3.88"	4.00"	4.88"
J-550	4.69"	4.31"	5.62"
J-600	5.60"	5.25"	6.56"
J-700	6.00"	5.73"	7.03"
J-800	7.00"	6.90"	7.68"

Futura hammerless connection was made to fit the Caterpillar J-Series adapter nosepiece.

This product design is not offered by the H&L Tooth Company at this time.

Low Possibility



BYG Futura© II Tooth System



Futura® II System			
Size	A	B	C
25			
30			
35			
45			
55			
60			
70			
80			

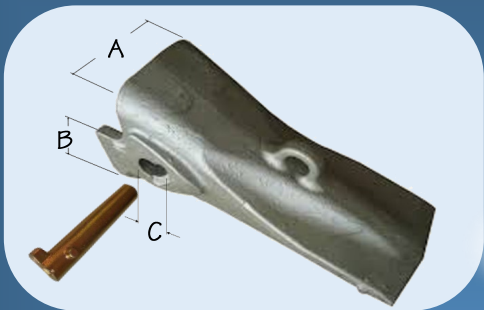
Futura II hammerless connection is similar in sizing to the Caterpillar J-Series, however they are not interchangeable.

This product design is not offered by the H&L Tooth Company at this time.

Hammerless Side Pin Connection

Liebherr© Z Tooth Style System

Low Possibility



Liebherr® Z-System			
Size	A	B	C
35			
40			
50			
70			
90			
100			

Patented and sold by Liebherr® Ltd. of France. The Liebherr Z-system has been mostly manufactured in Europe with cast facilities in China. Liebherr Z tooth system come in six different sizes for Liebherr equipment use.

This product design is not offered by the H&L Tooth Company at this time.