

T451.2019



QUALITY
since 1931

© H&L Tooth Company 2019

H&L's T-109-32 Stake Style Adapters are produced from aircraft quality Chrom-Moly-Nickel grade alloy steels to enhance adapter **DURABILITY** and **TOUGHNESS!**

32SP
Sharp
Penetration



32FP
Flexpins



388-415BHN
HARDNESS!

ORIGINAL PRODUCT

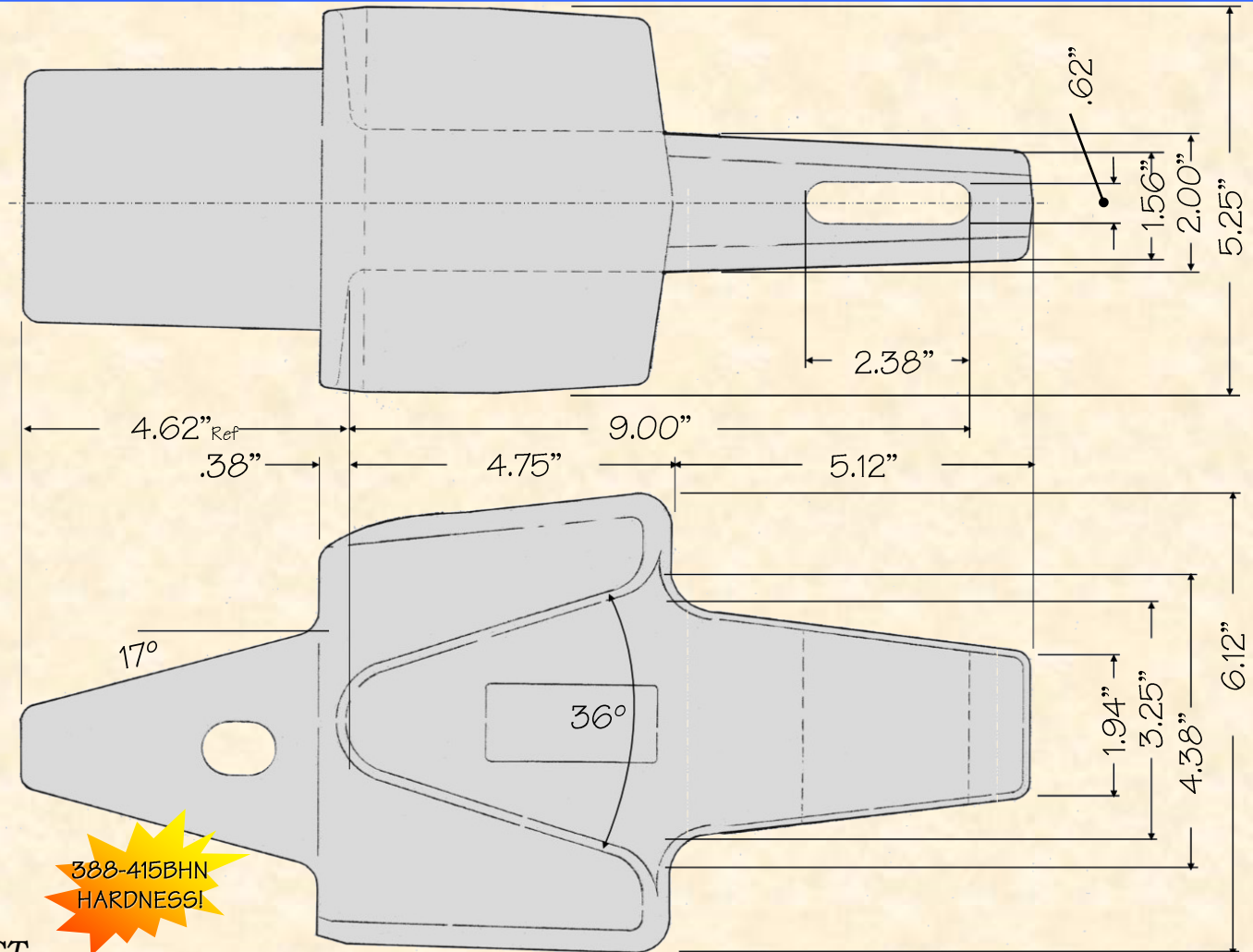
H&L® TOOTH COMPANY

Factory Direct Made in Tulsa, Oklahoma

Horizontal 32 Flexpin® Series ADAPTER design

T-109-32

Stake T-Adapter
59.0#/126.76 kgs.



H&L Tooth Company History since 1931:

The T-109-Series was first designed and introduced by H&L back in 1950. The 32 Tooth and Flexpin style was originally design in 1962. The T-109-32 adapter is one of thirty different styles that H&L has produced. All T-109-Series adapters uses a wedge key attachment pin, H&L part number K-191.

OUT OF PRODUCTION
40
FORGED BLANKS
REMAIN IN STOCK