

T454.2019



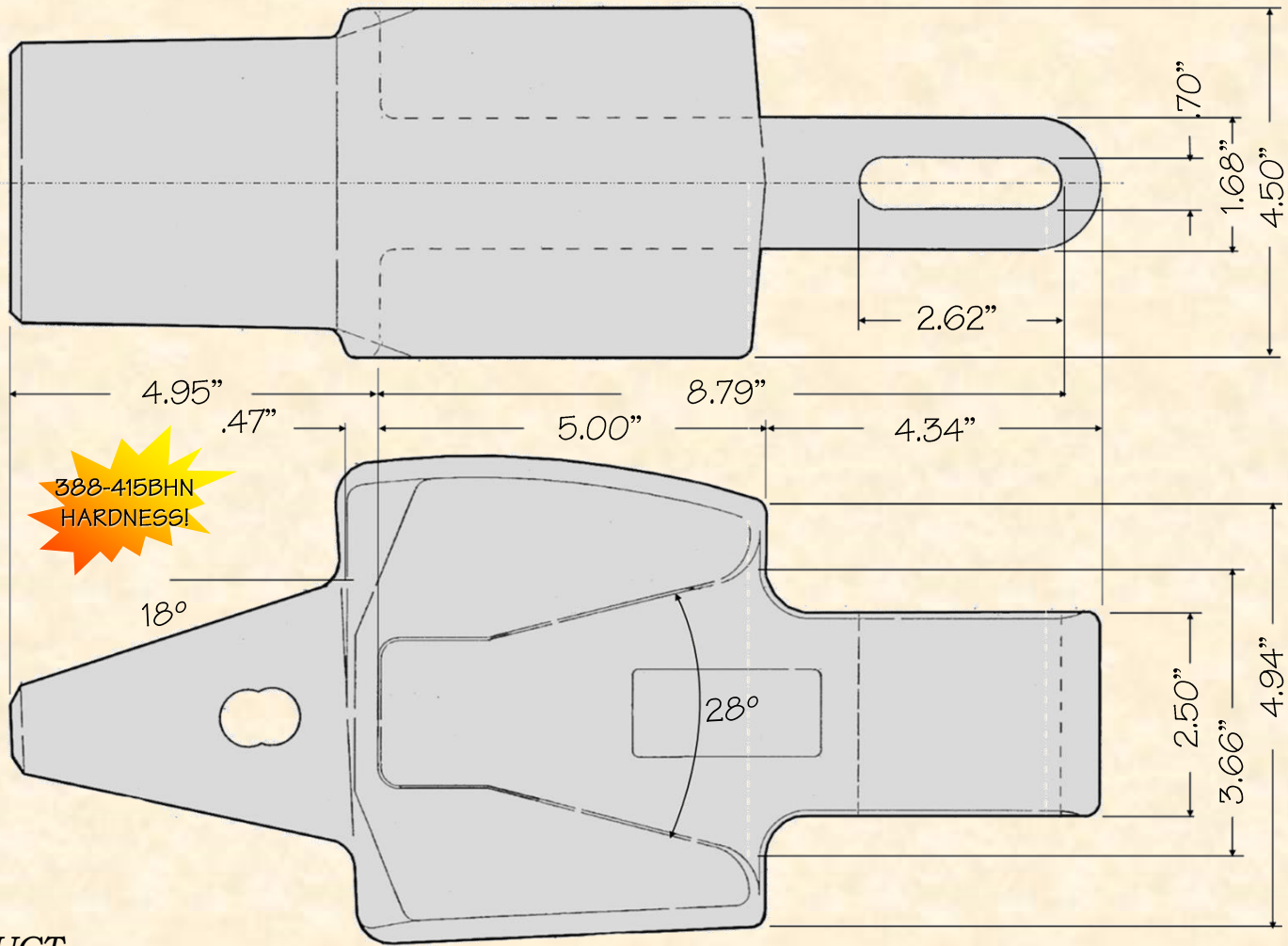
© H&L Tooth Company 2019

H&L's T-106-E-32 T-Adapters are produced from aircraft quality Chrom-Moly-Nickel grade alloy steels to enhance adapter **DURABILITY** and **TOUGHNESS!**

32SP
Sharp
Penetration



32FP
Flexpins



ORIGINAL PRODUCT

H&L® TOOTH COMPANY

Factory Direct Made in Tulsa, Oklahoma

Replaces "Esco" C-29 Cast Lip T-ADAPTERS

T-106-E-32

Stake "T" Style Adapter
45.0#/20.20 kgs.

H&L Tooth Company History since 1931:

The T-106-Series was first designed and introduced by H&L back in 1939. The 32 Tooth and Flexpin style was originally design in 1968. The T-106-E-32 adapter is one of thirty different styles that H&L has produced. All T-106-Series adapters uses a wedge key attachment pin, H&L part number K-975.

