

H&L Tooth Company
Quality GET
since 1931!

136 e-Series DRS Tooth Systems for Mini-Excavators!

RhombicGETsystem®

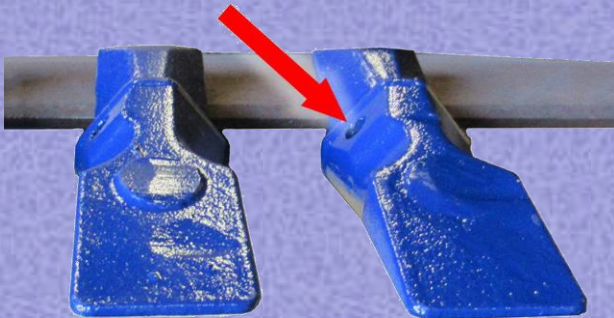
Patented Diagonal Retention System

- ✓ Diagonal Spiral Pin Retention Connection
- ✓ Patented e-Series Left Hand Pin Assembly



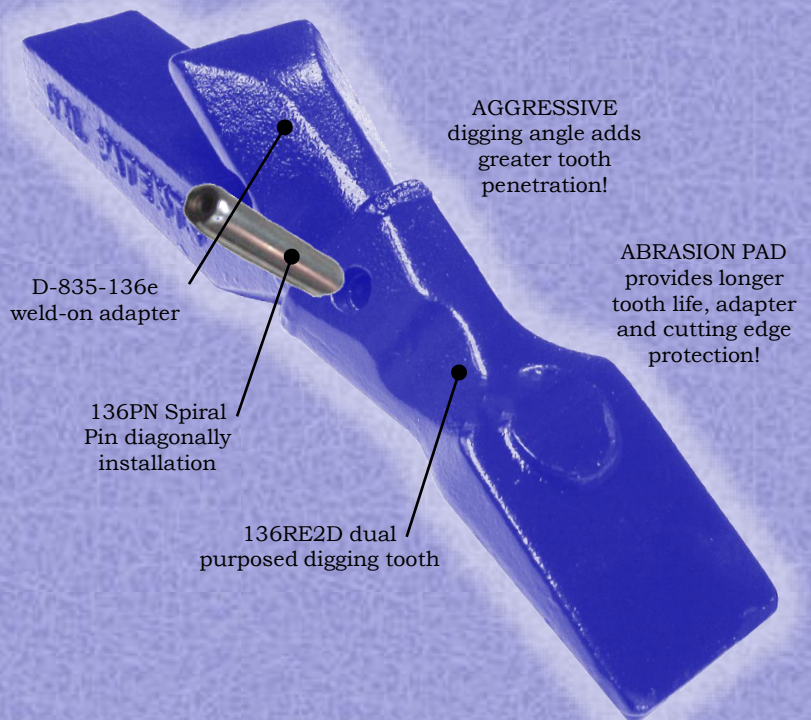
©H&L Tooth Company 2020

*Diagonal Retention System with
a unique 45° pin installation
and removal!*

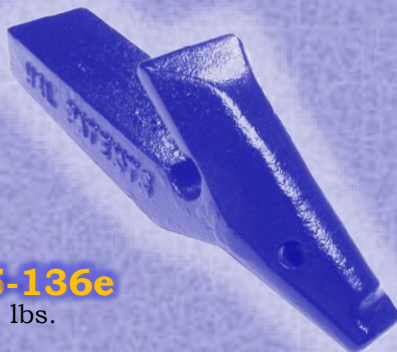


Spiral Pin hardware allows for
installation and removal, with
NO minimum space requirement!

DRS style Weld-on assembly



*DRS style Weld-on BOTTOM
mount adapter*



D-835-136e
2.00 lbs.

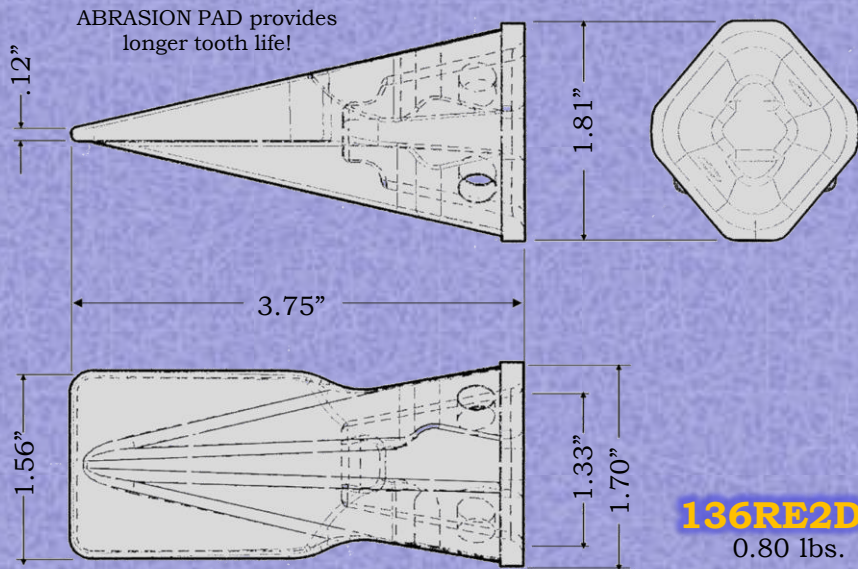
D-835-136RE2D Assembly
2.80 lbs.

Manufactured under multiple United States and foreign patents!

All H&L products WARRANTED against premature breakage!

www.hltooth.com • 1-800 HL TOOTH
(1-800-458-6684)

H&L® Patented Diagonal Pinning Tooth



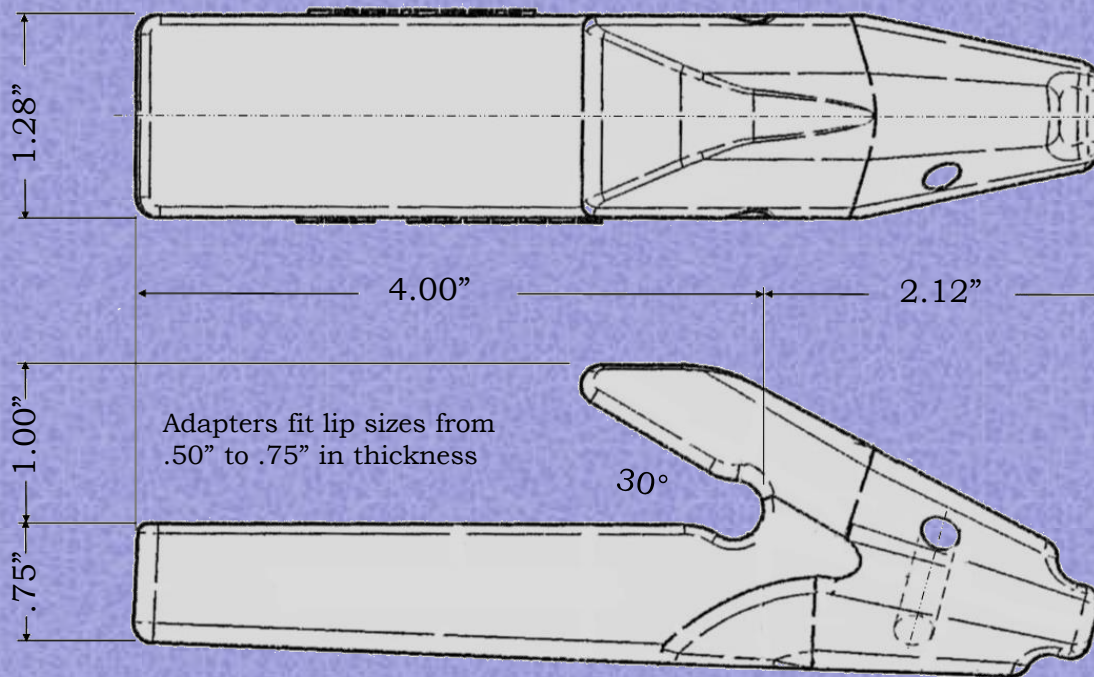
H&L 136RE2D Teeth are produced from aircraft quality Chrom-Moly grade alloy to enhance DURABILITY and DUCTILITY

Diagonal Spiral Pin



•Fits all Bucket Lips using the D-835 Weld-on connection!

H&L® Patented Diagonal Retention Adapter



The Rhombic **GET** system design REDIRECTS the adapter and tooth material to the vertical plane; resulting in **GREATER STRENGTH** in the direction in which the bucket loads!

H&L D-835-136e Adapters are produced from aircraft quality Chrom-Moly-Nichol grade alloy to enhance DURABILITY and DUCTILITY

Manufactured under multiple United States and foreign patents!

All H&L products WARRANTED against premature breakage!

www.hltooth.com • 1-800 HL TOOTH
(1-800-458-6684)