

H&L Tooth Company
Quality GET
since 1931!

186 e-Series DRS Tooth Systems for Mini-Excavators!

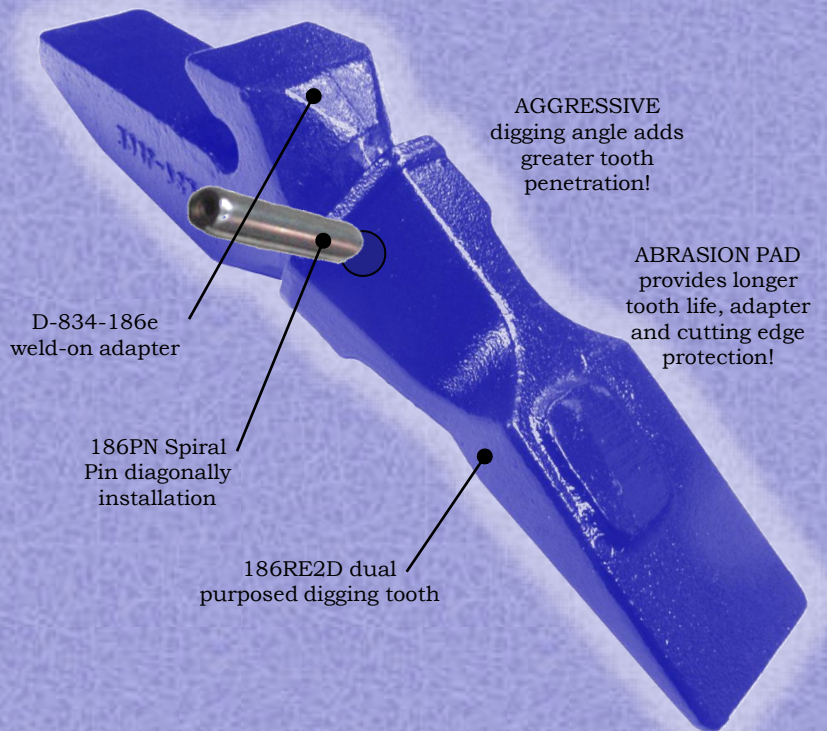
RhombicGETsystem®

Patented Diagonal Retention System

- ✓ Diagonal Spiral Pin Retention Connection
- ✓ Patented e-Series Left Hand Pin Assembly

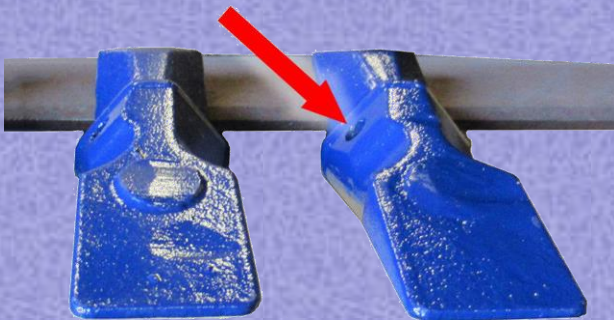
©H&L Tooth Company 2020

DRS style Weld-on assembly



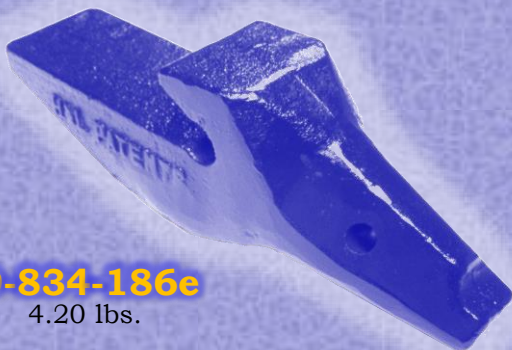
D-834-186RE2D Assembly
6.20 lbs.

Diagonal Retention System with a unique 45° pin installation and removal!



Spiral Pin hardware allows for installation and removal, with **NO minimum space requirement!**

DRS style Weld-on **BOTTOM** mount adapter



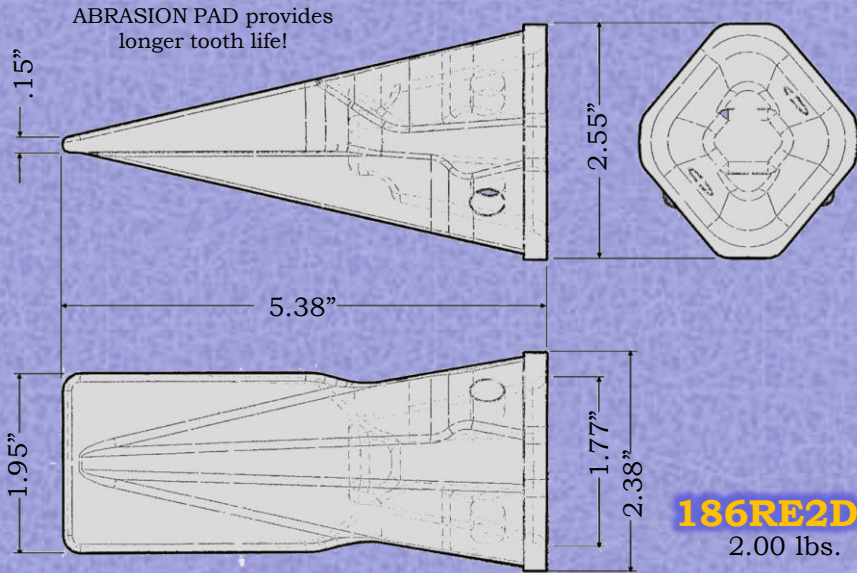
D-834-186e
4.20 lbs.

Manufactured under multiple United States and foreign patents!

All H&L products WARRANTED against premature breakage!

www.hltooth.com • 1-800 HL TOOTH
(1-800-458-6684)

H&L® Patented Diagonal Pinning Tooth



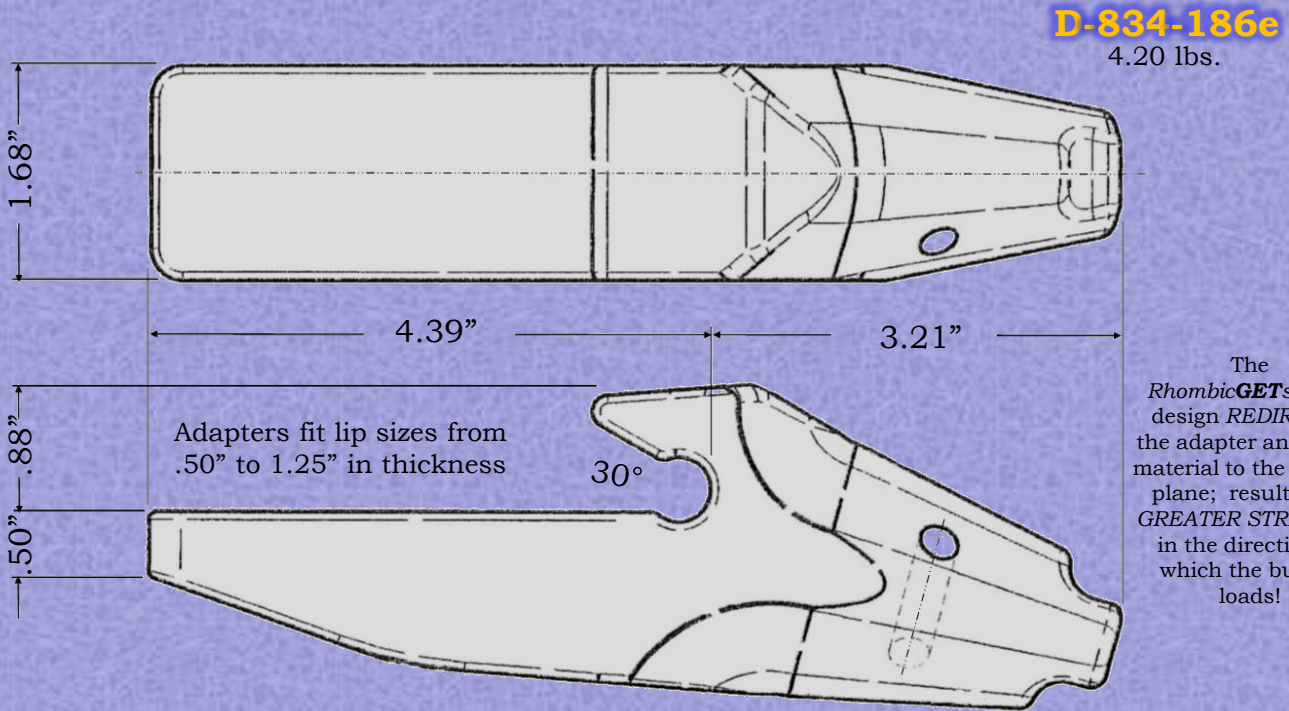
H&L 186RE2D Teeth are produced from aircraft quality Chrom-Moly grade alloy to enhance DURABILITY and DUCTILITY

Diagonal Spiral Pin



•Fits all Bucket Lips using the D-834 Weld-on connection!

H&L® Patented Diagonal Retention Adapter



The Rhombic**GET**system design REDIRECTS the adapter and tooth material to the vertical plane; resulting in **GREATER STRENGTH** in the direction in which the bucket loads!

H&L D-834-186e Adapters are produced from aircraft quality Chrom-Moly-Nichol grade alloy to enhance DURABILITY and DUCTILITY

Manufactured under multiple United States and foreign patents!

All H&L products WARRANTED against premature breakage!

www.hltooth.com • 1-800 HL TOOTH
(1-800-458-6684)