

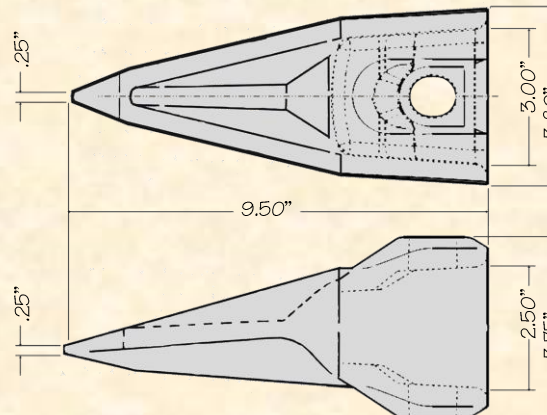
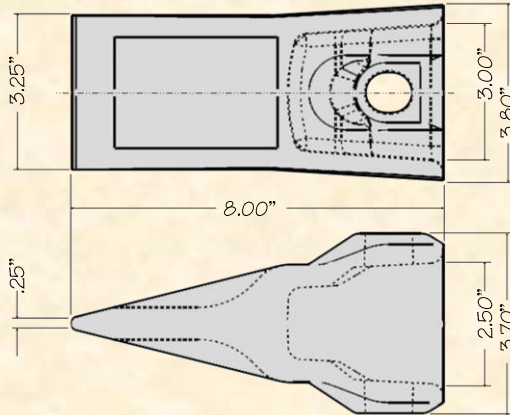
H&L® “Cobra Line” CX-295 “5-Series” Teeth fit all field OEM Style 295 Series Adapters.



CX-295SP
Sharp Penetration
8.2#



CX-295T
Single Tiger
8.7#



**C-295PN Steel Pin
w/Snap Ring**
0.4#

ORIGINAL PRODUCT

H&L® TOOTH COMPANY

Factory in Tulsa, Oklahoma

“Cobra Line” Hensley “5-Series” TEETH design

CX-295 Series

Uses “Cobra Line” Steel Pin C-295PN

H&L Tooth Company History since 1931:

H&L CX-295 series Value-Cast “Cobra Line” teeth meets or exceeds the OEM standards. All Value-Cast teeth are covered under H&L’s standard warranty.

Other part number references; X295.

H&L is an ISO CERTIFIED Company.

T510.2020



© H&L Tooth Company 2020