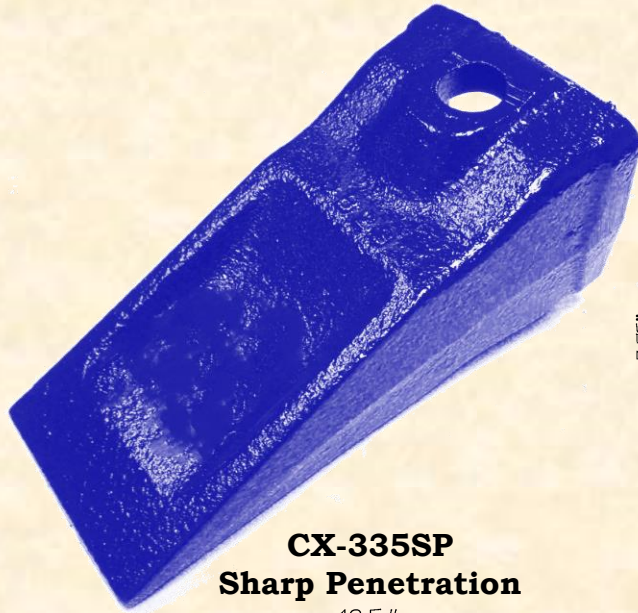
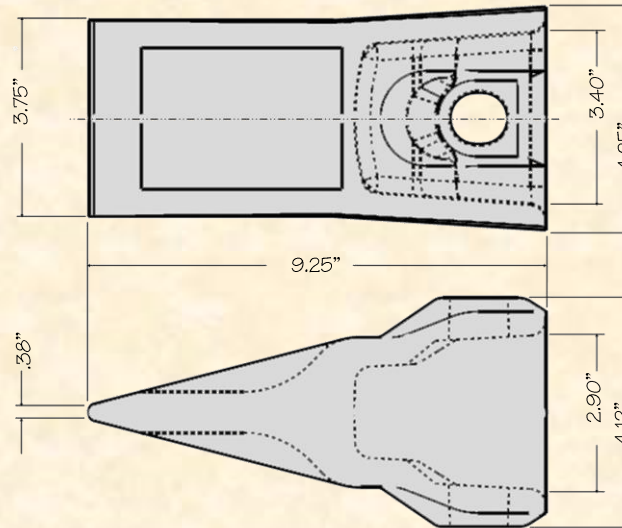


H&L® “Cobra Line” CX-335SP “5-Series” Tooth fit all field OEM Style 335 Series Adapters.



CX-335SP
Sharp Penetration
12.5#



C-335PN Steel Pin
w/Snap Ring
1.8#

ORIGINAL PRODUCT

H&L® TOOTH COMPANY

Factory in Tulsa, Oklahoma

“Cobra Line” Hensley “5-Series” TOOTH design

CX-335 Series

Uses “Cobra Line” Steel Pin C-335PN

H&L Tooth Company History since 1931:

H&L CX-335 series Value-Cast “Cobra Line” teeth meets or exceeds the OEM standards. All Value-Cast teeth are covered under H&L’s standard warranty.

Other part number references; X335.

H&L is an ISO CERTIFIED Company.

T511.2020



© H&L Tooth Company 2020