

T381.2023

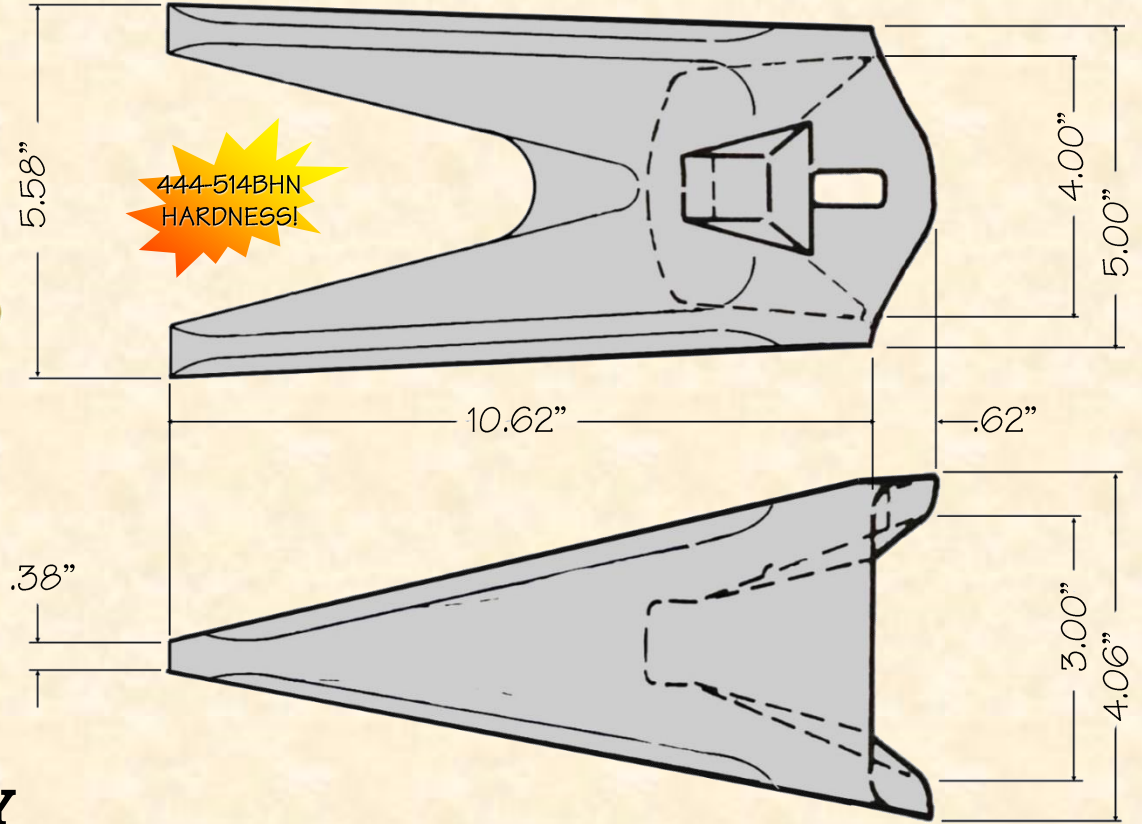


H&L's C-40TVC Teeth are produced from aircraft quality Chrom-Moly grade alloy steels to enhance tooth **DURABILITY** and long **LASTING SHARPNESS!**

© H&L Tooth Company 2023



Uses the C-40 Series Rubber Insert and Steel Pin



ORIGINAL PRODUCT

H&L® TOOTH COMPANY

Factory Direct from Tulsa, Oklahoma

H&L *Cobra Line* cast conical Shaped Nosepiece

C-40TVC

Twin Tiger Tooth
17.5#/7.93 kgs.

H&L Tooth Company History since 1931:

This CF-40TVC Twin Tiger style tooth was introduced by the Hi-Pro Forge Company in 1981 as a forging. During the 2000s H&L redesigned the CF-40TVC and now offers it as a cast version C-40TVC.

Today, copies of the Conical "C and CF" 40TVC style teeth are being produced by many companies worldwide.