

T368.2023

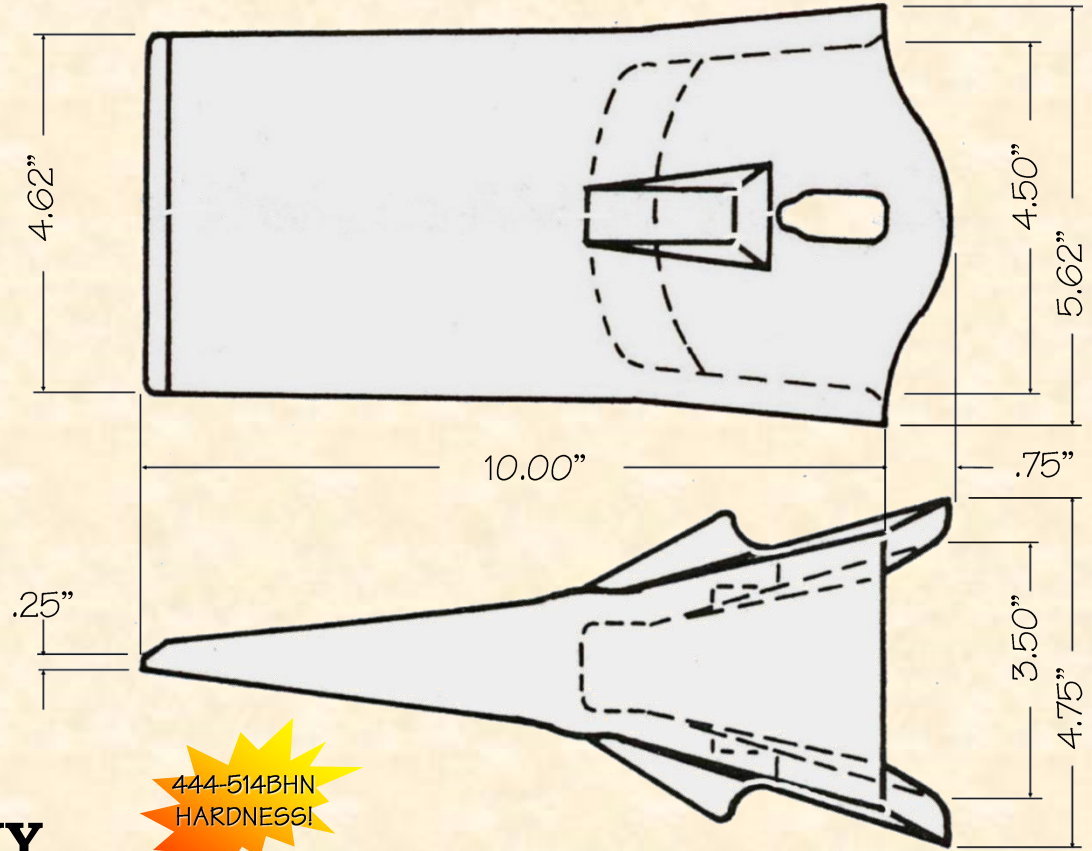


H&L's C-45S Teeth are produced from aircraft quality Chrom-Moly grade alloy steels to enhance tooth **DURABILITY** and long **LASTING SHARPNESS!**

© H&L Tooth Company 2023



Uses the C-45 series Rubber Insert and Steel Pin



ORIGINAL PRODUCT  
**H&L® TOOTH COMPANY**

Factory Direct from Tulsa, Oklahoma

H&L *Cobra Line* cast conical shaped Pocket

**C-45S**

Sharp Tooth  
19.7#/18.94 kgs.

*H&L Tooth Company History since 1931:  
This CF-45S Sharp style tooth was introduced by the Hi-Pro Forge Company in 1981 as a forge OEM replacement. During the 2000s H&L redesigned the CF-45S and now offers it as a cast version C-45S.*

*Today, copies of the conical shaped "C and CF" 45S series teeth are being produced by many companies worldwide.*